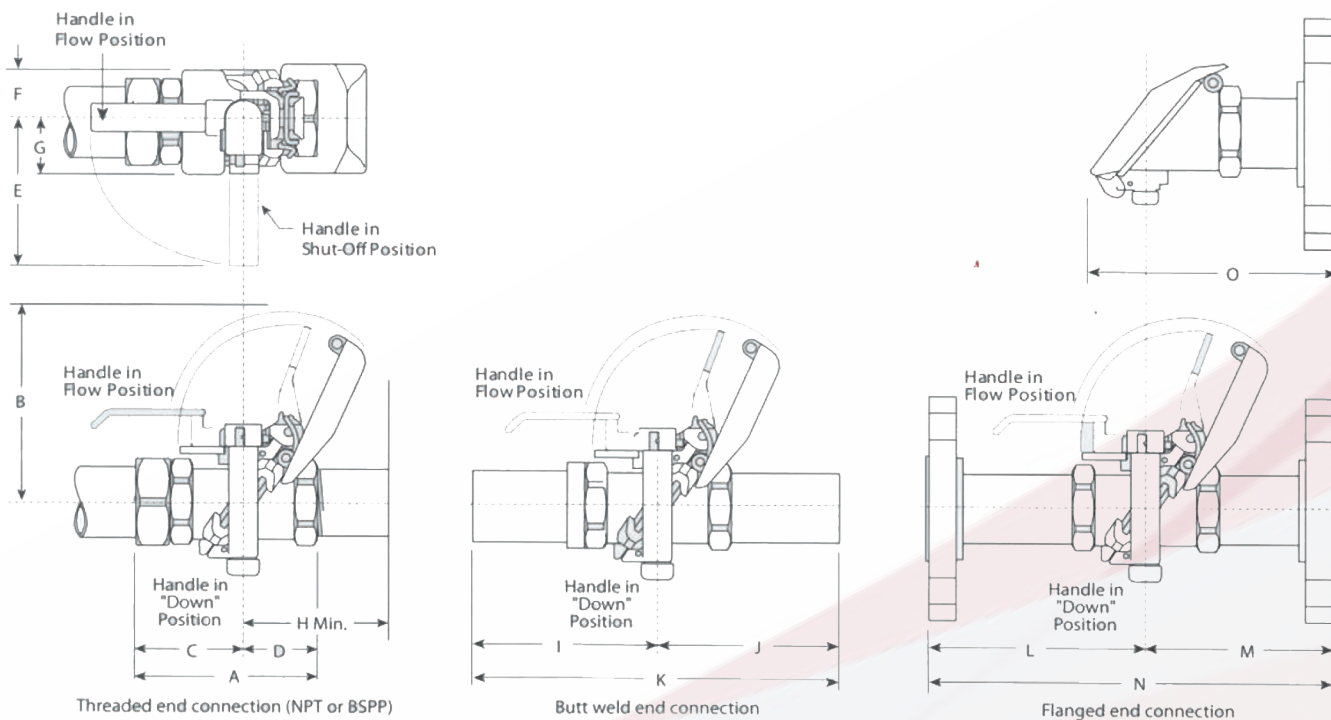


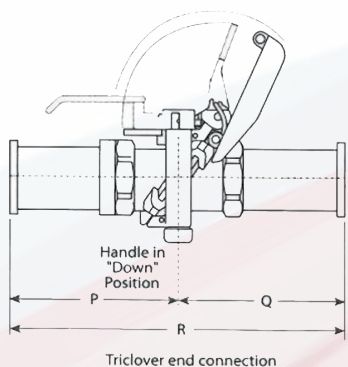
Standard & Sanitary Couplings

2, 3, & 4 inch: 50, 80, 100 DN

Couplers include a standard built-in swivel. Optional swivel is available for adapters. Available in Stainless Steel 316 and Alloy 20 housing materials.



Weight lb/kg



Triclover end connection

Nominal Size	Threaded End		Butt Weld		Flanged		Triclover	
	Coupler	Adapter	Coupler	Adapter	Coupler	Adapter	Coupler	Adapter
2 in.	5.0	3.0	7.0	5.0	11.5	9.0	7.0	5.0
50 DN	2.3	1.4	3.2	2.3	5.2	4.1	3.2	2.3
3 in.	14.0	9.0	16.5	11.5	21.5	15.8	16.5	11.5
80 DN	6.4	4.1	7.5	5.2	9.8	7.2	7.5	5.2
4 in.	17.0	13.0	18.3	13.3	27.0	21.3	18.3	13.3
100 DN	7.7	5.9	8.3	6.1	12.3	9.7	8.3	6.1

Dimensions in./mm

Nominal Size	All Units								Butt Weld			Flanged				Triclover		
	A	B	C	D	E	F	G	H	I	J	K	L	M	N	O	P	Q	R
2 in.	6.26	6.50	3.75	2.53	5.25	1.70	2.00	5.00	8.90	8.56	17.46	8.00	6.56	14.59	8.40	4.00	4.00	8.00
50 DN	159	165	95	64	133	43	51	127	278	217	495	255	167	421	203	102	102	204
3 in.	8.54	9.88	5.04	3.50	7.38	2.35	2.65	7.00	13.27	12.56	25.83	11.06	7.56	18.62	10.25	7.29	5.75	13.04
80 DN	217	251	130	89	187	60	67	178	337	319	656	281	192	473	241	185	146	331
4 in.	12.54	9.88	7.04	5.50	7.38	2.35	2.65	7.00	13.27	12.56	25.83	11.06	7.56	18.62	10.25	9.54	8.00	17.54
100 DN	319	251	179	140	187	60	67	178	337	319	656	281	192	473	241	242	203	446