

'EUC' Series Check Valves

The Non-Return Valve

- Designed for the prevention of back-flow in high-pressure systems
- The 'EC' Series valve has a wide range of body and trim materials available
- Several types of sealing materials can be used to cope with most aggressive mediums
- Having a soft primary seal means it is suitable for gases or liquids
- Very compact unit, suitable for many arduous duties
- Bubble-tight close, with secondary metal-to-metal seal as standard

Design Features

- Primary soft seal for bubble tight close, with secondary metal-to-metal seal as standard.
- Temperature range -40°C to 150°C as standard (other temperatures available on request)
- Available in 316ss, Duplex, Monel and other exotic materials.
- Many piston and spring material options available to cope with aggressive mediums.
- Close tolerance guided spring and piston to prevent grabbing or seizure.
- Full material traceability.
- Repair kits available.
- Materials of construction can be supplied to meet the requirements of NACE MR -0175 latest



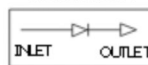
'EUC' Series Check Valves

| PART NO | CONNECTION SIZE | A | B | BORE | CRACKING PRESSURE | CV | WEIGHT |
|---------|-----------------|-----|----|------|-------------------|------|---------|
| EUC2KS | 1/4" O.D | 95 | 22 | 5 | 15 psi ± 25% | 0.53 | 0.22 Kg |
| EUC3KS | 3/8" O.D | 97 | 25 | 8 | 15 psi ± 25% | 0.97 | 0.30 Kg |
| EUC4KS | 1/2" O.D | 119 | 32 | 10 | 20 psi ± 25% | 1.78 | 0.54 Kg |

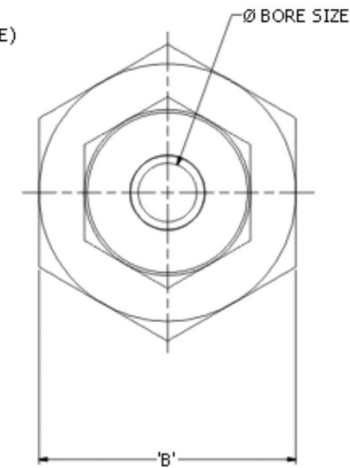
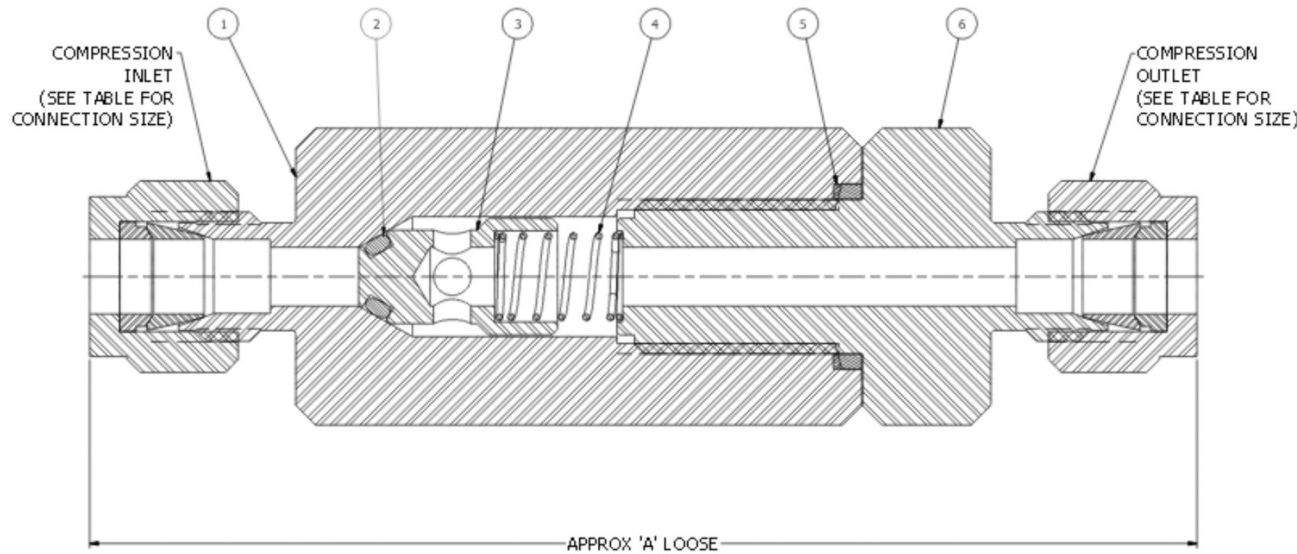
DIMENSIONS SHOWN ARE IN METRIC MM

| ITEM | DESCRIPTION | MATERIAL | QTY |
|------|------------------|-----------------|-----|
| 1 | CHECK VALVE BODY | A479 UNS S31600 | 1 |
| 2 | O-RING | HNBR90 | 1 |
| 3 | PISTON | A479 UNS S31600 | 1 |
| 4 | SPRING | UNS S30200 | 1 |
| 5 | BODY SEAL | PTFE | 1 |
| 6 | END CONNECTOR | A479 UNS S31600 | 1 |

FLOW DIAGRAM



1/4" CD TO 1/2" CD COMPRESSION ENDED
'EUC' SERIES CHECK VALVE IN 316 ST/ST MATERIAL
RATED 10,000psi.



SECTION B-B