

## Quick Disconnect: Snap-Tite H Series

### Technical Specification



- Sizes: 1/4" - 4"
- Materials:
  - Aluminium
  - Brass
  - Steel
  - Stainless Steel 316
- Valve combinations include:
  - Double shut-off poppet valves
  - Single shut-off on the coupler
  - Straight through (unvalved/plain)

### Features & Benefits

- Versatile
- Meets MIL-C-51234
- Superior flow
- Optional sleeve lock helps prevent accidental disconnection
- Manually operated sleeve provides secure connection

### Applications

- Hydraulics
- Pneumatics
- General purpose fluid applications

### Pressure Ratings

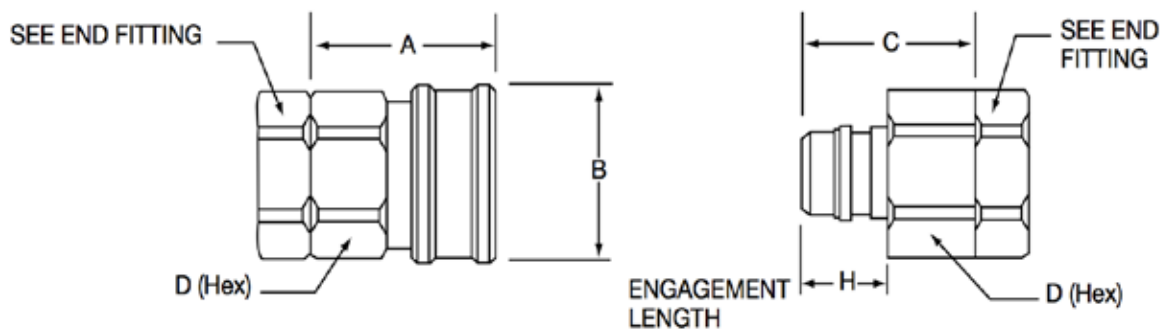
Size	Valved on both coupler and nipple (Double Shut-off) Valved on one half and Unvalved/Plain on other half (Single Shut-off)								Unvalved/Plain on both coupler and nipple (Straight Through)							
	Steel		Aluminium		Brass		Stainless Steel		Steel		Aluminium		Brass		Stainless Steel	
	PSI	Bar	PSI	Bar	PSI	Bar	PSI	Bar	PSI	Bar	PSI	Bar	PSI	Bar	PSI	Bar
1/4"	6500	448	2250	155	2250	155	5000	345	11000	759	4000	276	4000	276	10000	690
3/8"	4500	310	2250	155	2250	155	4000	276	11000	759	4000	276	4000	276	8000	552
1/2"	4000	276	1750	121	2000	138	3750	259	11000	759	4000	276	4000	276	8000	552
3/4"	3500	241	1750	121	2000	138	2000	138	9000	621	3500	241	3500	241	7000	483
1"	2000	138	1500	103	1750	121	2000	138	6000	414	3000	207	3000	207	4000	276
1-1/4"	1750	121	375	26	350	24	1500	103	5000	345	1000	69	1000	69	3000	207
1-1/2"	1500	103	375	26	350	24	1500	103	5000	345	1000	69	1000	69	3000	207
2"	1500	103	300	21	400	28	500	34	4000	276	750	52	750	52	1000	69
2-1/2"	1000	69	300	21	400	28	400	28	1000	69	300	21	400	28	400	28
3"	750	52	200	14	200	14	400	28	750	52	200	14	200	14	400	28
4"	500	34	150	10	150	10	300	21	500	34	150	10	150	10	300	21

NOTE: Pressure ratings were established under static pressure conditions. Therefore, pressure ratings for any given flow, pressure surge and/or vibration may vary from these ratings. Burst pressures listed were taken at the point at which failure rendered the quick disconnect inoperative. (Proof pressure equals 1-1/2 times the working pressure; burst pressure equals 2 times working pressure.)



## Quick Disconnect: Snap-Tite H Series

### Valved Coupler and Nipple Dimensions (Without End Fitting)



Size		1/4"	3/8"	1/2"	3/4"	1"	1-1/4"	1-1/2"	2"	2-1/2"	3"	4"
A	Inches	1.34	1.50	1.62	1.92	2.07	2.28	2.57	3.14	3.63	3.88	4.58
	mm	34.04	38.10	41.15	48.77	52.58	57.91	65.28	79.76	92.20	98.55	116.33
B	Inches	1.00	1.19	1.39	1.63	2.00	2.19	2.75	3.50	4.50	5.45	6.75
	mm	25.40	30.23	35.31	41.40	50.80	55.63	69.85	88.90	114.30	138.13	171.45
C	Inches	1.28	1.44	1.51	1.79	1.95	2.15	2.41	2.94	3.42	3.75	4.47
	mm	32.51	36.58	38.35	45.47	49.53	54.61	61.21	74.68	86.87	96.27	113.54
D*2	Inches	0.88	1.00	1.19	1.50	1.88	2.00	2.75	3.75	4.50	4.75	6.75
	mm	22.35	25.40	30.23	38.10	47.75	50.80	69.85	95.25	114.30	120.65	171.45
H	Inches	0.58	0.71	0.72	0.88	0.91	0.90	1.06	1.32	1.41	1.56	1.93
	mm	14.73	18.03	18.29	22.35	23.11	22.86	26.92	33.53	35.81	39.62	49.02

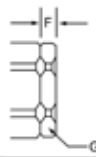
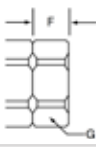
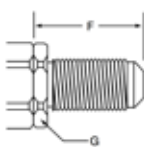
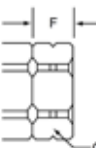
### Valved Coupler and Nipple End Fitting Dimensions

	Size	1/4"	3/8"	1/2"	3/4"	1"	1 1/4"	1 1/2"	2"	2 1/2"	3"	4"	
Male Tapered Pipe	F	Inches	0.75	0.69	0.95	0.96	1.14	1.31	1.44	1.40	1.83	1.88	2.88
	F	mm	19.05	17.53	24.13	24.38	28.96	33.27	36.58	35.56	46.48	47.75	73.15
EM Male SAE Flared and MS33656	G*1	Inches	0.88	1.00	1.19	1.5	1.88	2.00	2.50	3.38	4.00	4.75	6.00
	G*1	mm	22.35	25.40	30.23	38.1	47.75	50.80	63.50	88.90	101.60	120.65	152.40
MS33657	F	Inches	0.74	0.74	0.84	1.13	1.16	1.27	1.46	1.71			
	F	mm	18.8	18.80	21.34	28.70	29.46	32.26	37.08	43.43			
MS33657	G*1	Inches	0.88	1.00	1.19	1.50	1.88	2.00	2.50	3.38			
	G*1	mm	22.35	33.27	30.23	38.10	47.75	50.80	63.50	88.90			
MS33657	F	Inches	1.23	1.31	1.47	1.84	1.84	1.95					
	F	mm	31.31	33.27	37.34	46.74	46.74	49.53					
MS33657	G*1	Inches	0.88	1.00	1.19	1.50	1.88	2.00					
	G*1	mm	22.35	25.40	30.23	38.10	47.75	50.80					



## Quick Disconnect: Snap-Tite H Series

### Valved Coupler and Nipple End Fitting Dimensions (Continued)

	Size	1/4"	3/8"	1/2"	3/4"	1"	1 1/4"	1 1/2"	2"	2 1/2"	3"	4"
Female Tapered Pipe 	F	Inches 0.31	0.40	0.47	0.50	0.60	1.26	0.70	0.78	0.90	0.88	1.31
		mm 7.87	10.16	11.94	12.70	15.24	32.00	17.78	19.81	22.86	22.35	28.70
	G*1	Inches 0.88	1.00	1.19	1.50	1.88	2.00	2.50	3.50	4.00	4.75	6.00
		mm 22.35	25.40	30.23	38.10	47.75	50.80	63.50	88.9	101.60	120.65	152.40
EF Female Straight and MS3369 	F	Inches 0.46	0.70	0.57	1.00	0.87	1.11	0.85	1.01			
		mm 11.68	17.78	14.48	25.40	22.10	28.19	21.59	25.65			
	G*1	Inches 0.88	1.00	1.19	1.50	1.88	2.00	2.50	3.50			
		mm 22.35	25.40	30.23	38.10	47.75	50.80	63.50	88.90			
EB Male SAE Bulk-Head 	F	Inches 1.39	1.56	1.67	2.03	1.84	2.14					
		mm 35.30	39.62	42.42	51.56	46.74	54.36					
	G*1	Inches 0.88	1.00	1.19	1.50	1.88	2.00					
		mm 22.35	25.40	30.23	38.10	47.75	50.80					
Female RP <sup>4</sup> British Parallel 	F	Inches 0.39	0.40	0.53	0.56	0.60	1.26	0.70	0.78	0.90	0.88	1.13
		mm 9.91	10.16	13.46	14.22	15.24	32.00	17.78	19.81	22.86	22.35	28.70
	G*1	Inches 0.88	1.00	1.19	1.50	1.88	2.00	2.50	3.50	4.00	4.75	6.00
		mm 22.35	25.4	30.23	38.10	47.75	50.80	63.50	88.90	101.60	120.65	152.40

### Unvalved/Plain Coupler and Nipple End Configurations

		1/4"	3/8"	1/2"	3/4"	1"	1-1/4"	1-1/2"	2"	2-1/2"	3"	4"
A	Inches	1.34	1.50	1.62	1.91	2.07	2.28	2.57	2.48	3.11	3.35	3.88
	mm	34.04	38.10	41.15	48.51	52.58	57.91	65.28	62.99	78.99	85.09	98.55
B	Inches	1.00	1.19	1.39	1.63	2.00	2.19	2.75	3.50	4.50	5.45	6.75
	mm	25.40	30.23	35.31	41.40	50.8	55.63	69.85	88.90	114.30	138.43	171.45
C	Inches	1.32	1.52	1.72	1.92	2.10	2.22	2.44	2.60	2.95	3.40	3.73
	mm	33.53	38.61	43.69	48.77	53.34	56.39	61.98	66.04	74.93	86.36	94.74
D*1	Inches	0.88	1.00	1.19	1.50	1.88	2.00	2.50	3.25	3.75	4.75	5.50
	mm	22.35	25.40	30.23	38.10	47.75	50.80	63.50	82.55	95.25	120.65	139.70



## Quick Disconnect: Snap-Tite H Series

### Unvalved/Plain Coupler and Nipple End Configurations (continued)

		Female Pipe Thread			Female RP British Parallel Thread				Male Pipe Thread			
		A	B	C	A	B	L	H	E (Hex)	K	J	
	Size	1/4"	3/8"	1/2"	3/4"	1"	1-1/4"	1-1/2"	2"	2-1/2"	3"	4"
E*1,2	Inches	0.63	0.81	1.00	1.19	1.50	1.88	2.13	2.75	3.25	4.00	5.00
	mm	16	20.57	25.4	30.23	38.10	47.75	54.1	69.85	82.55	101.60	127.00
H	Inches	0.58	0.71	0.72	0.88	0.91	0.9	1.06	1.32	1.41	1.56	1.93
	mm	14.73	18.03	18.29	22.35	23.11	22.86	26.92	33.53	35.81	39.62	49.02
K	Inches	0.78	0.98	1.01	1.14	1.16	1.17	1.34	2.03	2.08	2.59	2.58
	mm	19.18	24.89	25.65	28.96	29.46	29.72	34.04	51.56	52.83	65.79	65.53
J*1	Inches	0.56	0.69	0.88	1.06	1.38	1.88	2.13	2.50	3.25	4.00	5.00
	mm	14.22	17.53	22.35	26.92	35.05	47.75	54.1	63.5	82.55	101.60	127.00
L	Inches	1.27	1.44	1.72	1.86	2.13	2.22	2.44	2.60	2.95	3.40	3.73
	mm	32.26	36.58	43.69	47.24	54.10	56.39	61.98	66.04	74.93	86.36	94.74

#### NOTES:

<sup>1</sup> Dimensions taken across the hex flats. Round stock with two milled flats may be substituted for hex stock. Dimensions across flats same as dimensions across hex flats. Max O.D. of round stock will not exceed the dimensions across the points of the hex stock. Valve coupler and nipple bodies may be supplied from round bar stock without wrench flats.

<sup>2</sup> Notch on hex indicates RP British parallel threads.



Dust caps, dust plugs and pressure caps protect disconnected couplers and nipples from damage, dirt and other contaminants. Dust caps and dust plugs are available in plastic and clear anodized aluminum.

#### Plastic Cap and Plug

Designed with a loop to fit over fitting or affixing to equipment with a sheet metal screw. Available in sizes 1/4" thru 1".

#### Aluminum Dust Caps and Plugs

Aluminum dust caps and plugs are available in sizes 1/4" thru 3". The 1/4" thru 3/4" sizes come with 10" chrome plated brass bead chain. The 1" and above come with steel zinc plated sash chain.

#### Pressure Caps

Pressure-tight pressure caps for nipples are standard in steel, Trivalent plated. Other materials such as brass, aluminum and stainless steel available on special order. Sizes available 1/4" thru 3". Sizes 1/4" thru 3/4" come with 10" length of corrosion resistant steel cable. Sizes 1" thru 3" come with 12" of cable-all with adjustable loop at end of cable.

## Quick Disconnect: Snap-Tite H Series

