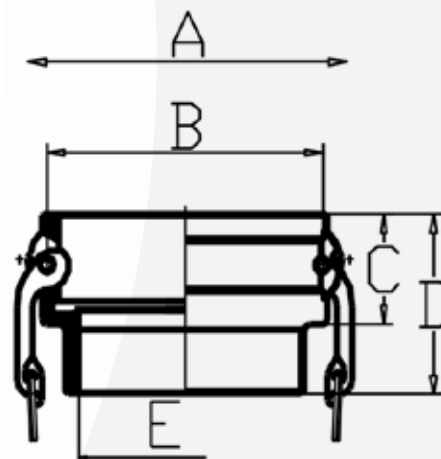


## Camlock Fittings: Snaplock & EcoCam Dimensions Couplers

Part B Dimensions (mm)

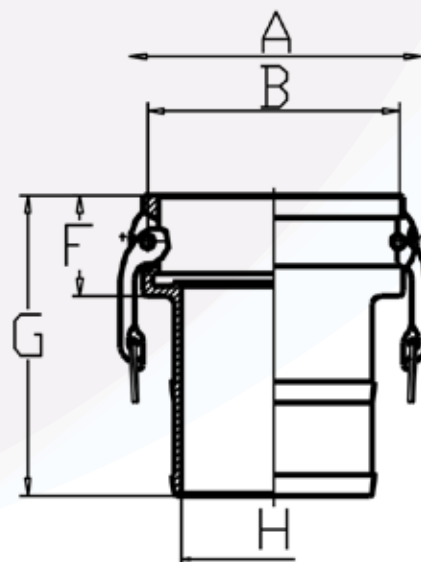
| Camlock Size | A      | B      | C    | D     | E     |
|--------------|--------|--------|------|-------|-------|
| 1/2"         | 101.2  | 32     | 28   | 43    | 14.1  |
| 3/4"         | 120.46 | 41.2   | 32   | 48    | 19    |
| 1"           | 125.26 | 46     | 37.3 | 56.9  | 25.2  |
| 1 1/4"       | 184.2  | 56.25  | 43   | 63.5  | 32.7  |
| 1 1/2"       | 191.5  | 63     | 43.4 | 63.9  | 38.6  |
| 2"           | 201.1  | 75     | 50.5 | 74    | 49.85 |
| 2 1/2"       | 229.72 | 87.2   | 52   | 83    | 63.2  |
| 3"           | 257.6  | 102.5  | 53.5 | 86    | 77.1  |
| 4"           | 276.4  | 131.31 | 56.8 | 93.3  | 101.7 |
| 5"           | 369.1  | 162    | 58.5 | 97.5  | 127   |
| 6"           | 406    | 194    | 61.5 | 105   | 152   |
| 8"           | 455.6  | 254    | 68.4 | 118.4 | 190   |



Part B Camlock

Part C Dimensions (mm)

| Camlock Size | A      | B      | F    | G      | H     |
|--------------|--------|--------|------|--------|-------|
| 1/2"         | 101.2  | 32     | 28   | 62.6   | 8     |
| 3/4"         | 120.46 | 41.2   | 32   | 84     | 14.2  |
| 1"           | 125.26 | 46     | 37.3 | 93.3   | 20.8  |
| 1 1/4"       | 184.2  | 56.25  | 43   | 99     | 26.5  |
| 1 1/2"       | 191.5  | 63     | 43.4 | 104.4  | 31.75 |
| 2"           | 201.1  | 75     | 50.5 | 120.35 | 44    |
| 2 1/2"       | 229.72 | 87.2   | 52   | 132    | 57    |
| 3"           | 257.6  | 102.5  | 53.5 | 154.5  | 68.8  |
| 4"           | 276.4  | 131.31 | 56.8 | 162.8  | 93.2  |
| 5"           | 369.1  | 162    | 58.5 | 177.1  | 118.9 |
| 6"           | 406    | 194    | 62.1 | 233.1  | 144.4 |
| 8"           | 455.6  | 254    | 68.4 | 248.4  | 190   |



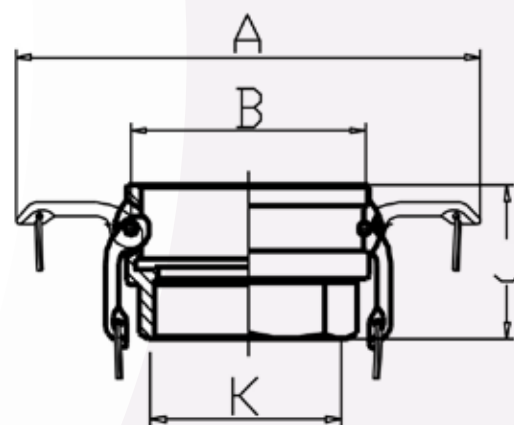
Part C Camlock

*All dimensions are supplied as an approximate and may be subject to slight variations*

## Camlock Fittings: Snaplock & EcoCam Dimensions Couplers

Part D Dimensions (mm)

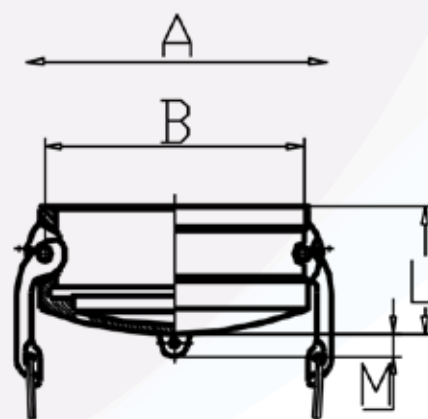
| Camlock Size | A      | B      | J     | K     |
|--------------|--------|--------|-------|-------|
| 1/2"         | 101.2  | 32     | 42.5  | 25.4  |
| 3/4"         | 120.46 | 41.2   | 48    | 31.4  |
| 1"           | 125.26 | 46     | 56.7  | 38    |
| 1 1/4"       | 184.2  | 56.25  | 63.5  | 47    |
| 1 1/2"       | 191.5  | 63     | 63.9  | 54.3  |
| 2"           | 201.1  | 75     | 72    | 67.3  |
| 2 1/2"       | 229.72 | 87.2   | 80    | 80.4  |
| 3"           | 257.6  | 102.5  | 82.5  | 95    |
| 4"           | 276.4  | 131.31 | 94.3  | 122   |
| 5"           | 369.1  | 162    | 92.7  | 148.5 |
| 6"           | 406    | 194    | 99.1  | 176.4 |
| 8"           | 455.6  | 254    | 120.4 | 247   |



Part D Camlock

Part DC Dimensions (mm)

| Camlock Size | A      | B      | L    | M  |
|--------------|--------|--------|------|----|
| 1/2"         | 101.2  | 32     | 29   | 8  |
| 3/4"         | 120.46 | 41.2   | 33   | 8  |
| 1"           | 125.26 | 46     | 38.5 | 8  |
| 1 1/4"       | 184.2  | 56.25  | 45   | 8  |
| 1 1/2"       | 191.5  | 63     | 45.4 | 9  |
| 2"           | 201.1  | 75     | 52.5 | 9  |
| 2 1/2"       | 229.72 | 87.2   | 54   | 10 |
| 3"           | 257.6  | 102.5  | 56   | 11 |
| 4"           | 276.4  | 131.31 | 60   | 11 |
| 5"           | 369.1  | 162    | 60   | 11 |
| 6"           | 406    | 194    | 65.1 | 12 |
| 8"           | 455.6  | 254    | 83.2 | 14 |



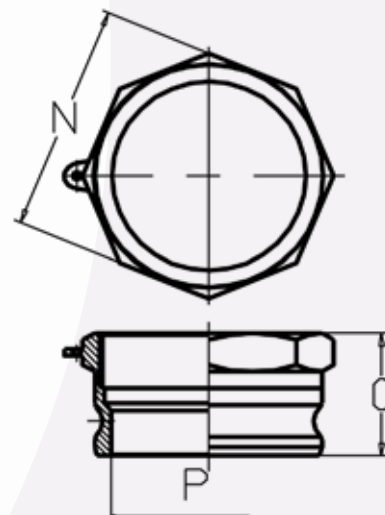
Part DC Camlock

*All dimensions are supplied as an approximate and may be subject to slight variations*

## Camlock Fittings: Snaplock & EcoCam Dimensions Adapters

Part A Dimensions (mm)

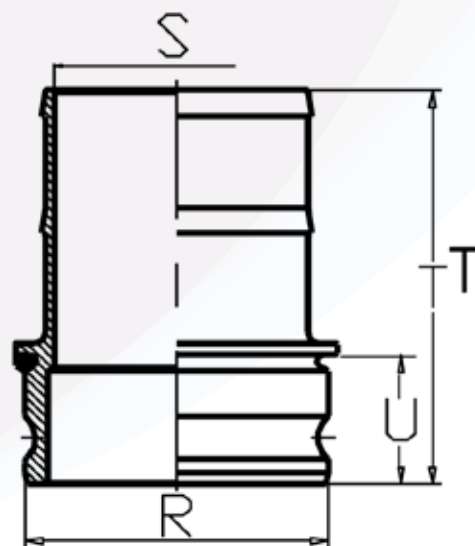
| Camlock Size | N     | O     | P     |
|--------------|-------|-------|-------|
| 1/2"         | 25.4  | 39.9  | 13.8  |
| 3/4"         | 32.5  | 43    | 21.6  |
| 1"           | 38    | 48.23 | 24.6  |
| 1 1/4"       | 47    | 54.12 | 29.5  |
| 1 1/2"       | 54.3  | 55.85 | 37    |
| 2"           | 67.3  | 62.2  | 46.25 |
| 2 1/2"       | 80.4  | 86.28 | 58.5  |
| 3"           | 96    | 69.8  | 75    |
| 4"           | 122   | 76.78 | 101.2 |
| 5"           | 148.5 | 80.4  | 126.5 |
| 6"           | 195   | 82.55 | 152.5 |
| 8"           | 246   | 87.9  | 190   |



Part A Camlock

Part E Dimension (mm)

| Camlock Size | R      | S     | T      | U     |
|--------------|--------|-------|--------|-------|
| 1/2"         | 23.84  | 8     | 72     | 25.4  |
| 3/4"         | 32.1   | 14.2  | 92.5   | 28.5  |
| 1"           | 36.73  | 20.8  | 101.5  | 33.53 |
| 1 1/4"       | 45.52  | 26.6  | 107.62 | 39.62 |
| 1 1/2"       | 53.47  | 31.75 | 114.15 | 41.15 |
| 2"           | 63.09  | 44    | 129.35 | 47.5  |
| 2 1/2"       | 75.8   | 57    | 142.28 | 49.28 |
| 3"           | 91.54  | 68.8  | 164.8  | 50.8  |
| 4"           | 119.58 | 93.2  | 171.58 | 52.58 |
| 5"           | 145.6  | 118.9 | 186.6  | 55    |
| 6"           | 175.93 | 144.4 | 234.15 | 57.15 |
| 8"           | 226.67 | 188   | 243.6  | 65.15 |



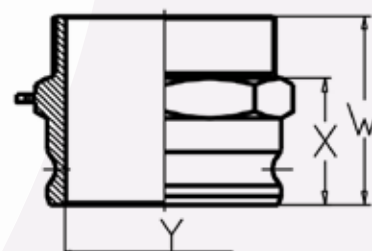
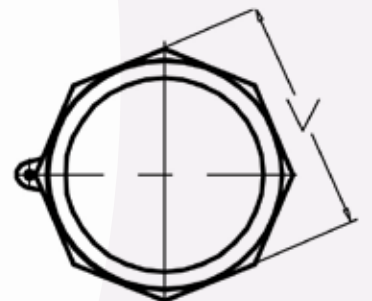
Part E Camlock

*All dimensions are supplied as an approximate and may be subject to slight variations*

## Camlock Fittings: Snaplock & EcoCam Dimensions

Part F Dimension (mm)

| Camlock Size | V     | W      | X     | Y     |
|--------------|-------|--------|-------|-------|
| 1/2"         | 25.4  | 54.9   | 39.9  | 13.8  |
| 3/4"         | 32.5  | 59     | 43    | 21.6  |
| 1"           | 37.75 | 67.83  | 48.23 | 24.6  |
| 1 1/4"       | 47.5  | 74.62  | 54.12 | 29.5  |
| 1 1/2"       | 55    | 76.35  | 55.85 | 37    |
| 2"           | 66.8  | 85.7   | 62.2  | 49.85 |
| 2 1/2"       | 80.4  | 99.28  | 68.28 | 58.5  |
| 3"           | 96    | 102.3  | 69.8  | 75    |
| 4"           | 122   | 111.48 | 74.98 | 101.2 |
| 5"           | 148.5 | 119.4  | 80.4  | 126.5 |
| 6"           | 195   | 126.55 | 83.05 | 152.5 |
| 8"           | 246   | 132.9  | 82.9  | 190   |



Part F Camlock

Part DP Dimension (mm)

| Camlock Size | Z  | AA    |
|--------------|----|-------|
| 1/2"         | 8  | 26    |
| 3/4"         | 8  | 29.5  |
| 1"           | 8  | 34.7  |
| 1 1/4"       | 8  | 41.6  |
| 1 1/2"       | 9  | 43.15 |
| 2"           | 9  | 49.5  |
| 2 1/2"       | 10 | 51.28 |
| 3"           | 11 | 53.8  |
| 4"           | 11 | 56    |
| 5"           | 11 | 57    |
| 6"           | 12 | 59.5  |
| 8"           | 14 | 68.8  |



Part DP Camlock

*All dimensions are supplied as an approximate and may be subject to slight variations*