

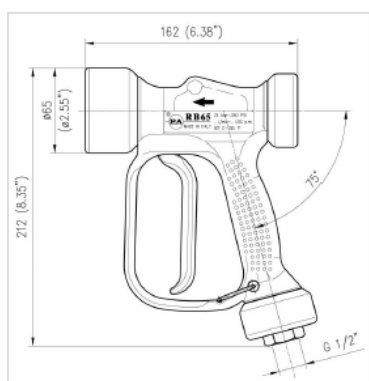
## RB 65 Adjustable Spray Wash Gun

### Food Industry



#### Technical Specification

- Shock proof, low pressure gun with conical/pencil jet controlled by trigger
- Guns Suitable for use up to 24 bar, 2.4 MPa rated pressure pumps
- Adjustable screw to vary cone width from 0° to 60°
- Covered by semi-housings of non-stainable shockproof plastic, entirely sealed and with 3 rubber protective rings
- Minimum fatigue for trigger opening and use
- Internal structure in Brass and Stainless Steel



#### Features & Benefits

- Ergonomic construction
- Inlet swivel connection
- Plastic trigger protected by hand guard

#### Safety

- The gun has been designed for continuous use, at a water temperature of 60°C (195°F) for short periods only
- Safety wear should be used when operating the gun at a water temperature higher than 60°, such as gloves, glasses etc.

P/N	Frame Colour	Gun Material	Seals Material	Max Flow Rate		Pressure Rating		Max Temperature continuous Use		Weight		Inlet
				L / min	USG-pm	bar	MPa	°C	°F	g	lbs	
ASL RB65	Blu	Ottone	Viton	60	15.8	24	2.4	60	140	1045	2.3	Swivel G 1/2" F

